

Model **MOON**



Technical Information

Frame	Frame of pine wood and MDF
Seat Suspension	Lifetime guarantee
Back Suspension	Webbing 80mm
Seat Foam	35Kg foam on seat cushions + fibre
Seat Firmness	Medium Foam (white) *
Back Cushions	Fibre fibersilk 100%
Loose Cushions	Fibre fibersilk 100%
Legs Options	Swivel leg + rocking base
Colors	

Guarantee

Frame and seat suspension

Lifetime guarantee

Mechanisms 5 years

Rest of Pieces 2 years*

*6-month guaranty extension by activating it on the web

Comments: * You would like to know more?
Check the FAQs section in our website

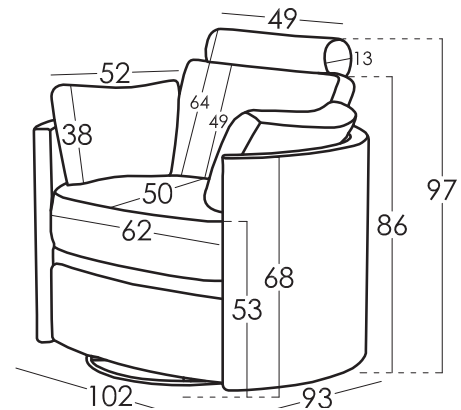
Cushions Measures

Arm Cushion	52x38 cm
Headrest	49x13 cm

Measures

Width	102 cm
Height	97 cm
Depth	93 cm
Seat Height	53 cm
Arm Height	68 cm
Back Height	64 cm
Depth when open	152 cm
Net Weight	50 kg
Gross Weight	21 kg
Volume m3	0,72 m3

Scheme



Packaging

Shrink wrapping plastic packaging with protective corner brackets

Options



Types of Standard Foam

Hardness: Soft Grey colour 35Kg	Hardness: Medium White colour 35Kg	Hardness: Hard Green colour 30Kg
---------------------------------------	------------------------------------------	----------------------------------------

Types of Fire Retardant Foam

Hardness: Medium Grey colour 41Kg	Hardness: Soft White colour 36Kg
-----------------------------------------	----------------------------------------

* You can request a different seat hardness from the standard of the model with a small price increase



MOON is manufactured by Fama Sofas, whose quality system is certified by AENOR and IQNET, according to ISO 9001-2015, with certificate number ES-0790/1999.

All models have passed the tests required for granting the quality control label from Aidima-Cetem laboratories.



fama